

# Eye bolt – RUD RS, UNC



- considerably higher WLL in comparison to DIN 580
- clear marking of the minimum WLL
- comprehensive range of threads

WLL specified for 90° lift



Material Hardened and tempered steel

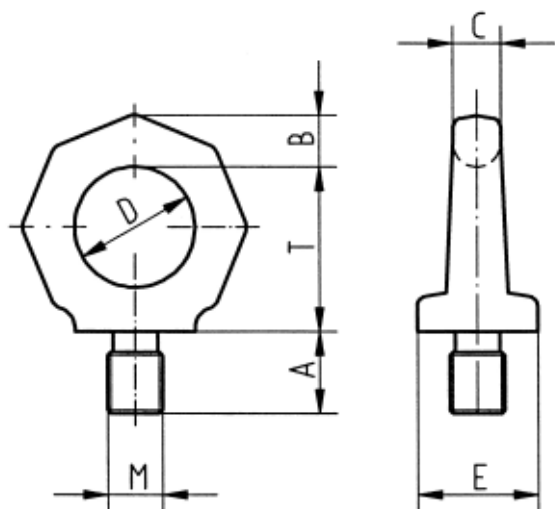
Surface treatment Paintet

Produced in accordance with Fabrikkstandard

Model RS

Type UNC

Brand RUD



Read more about the product here:

<https://john-dahle.no/product?number=0218501VM>