

T-nut hammer-head nut 10 M6 VA

Art.no.: 2401-3842536604

T-nut 10 mm slot stainless steel M6

Profile finishing: not required Groove retention refers to M8



Weight 0.01 kg

Material Stainless steel

Thread size M6 mm

Profile slot 10.0

ESD true

Required accessories Isolerende hette

Min. groove retention [Fmin] 6000 N

Max. groove retention [Fmax] 18000 N

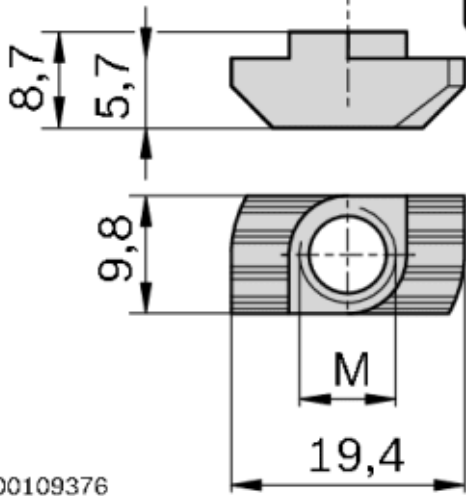
Brand rexroth

HS code 73181639

COO DEU

Sales unit: PCS

Master packaging (pcs) 100



00109376



Read more about the product here:

<https://john-dahle.no/product?number=2401-3842536604>