

Welding gauge, universal Model E

Art.no.: 1340186

Stainless steel universal welding gauge, for checking welds with easy reading. This can also be used to check welds with "crack defects" after burning or mechanically removed, weakened material. Used in shipbuilding and bridge construction.

- A-seam: 0 - 15 mm
- Angle of preparation: 0 - 60°
- Reading: 1 mm



Weight	140 g
--------	-------

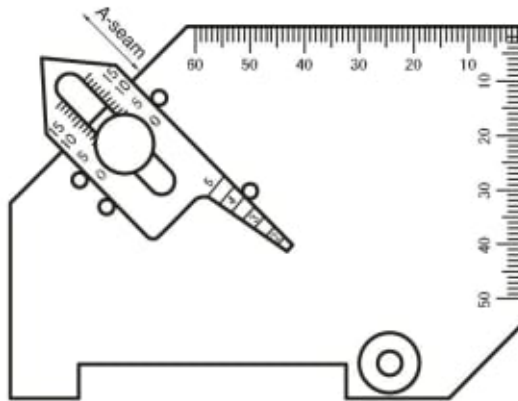
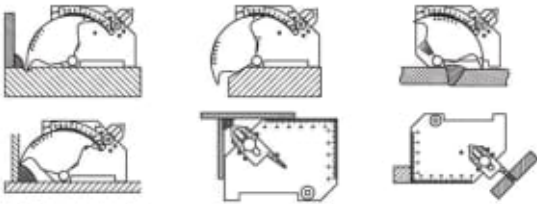
Type	CAM-type
------	----------

HS code	90173000
---------	----------

COO	JPN
-----	-----

Sales unit:	PCS
-------------	-----

Master packaging (pcs)	0
------------------------	---



Read more about the product here:

<https://john-dahle.no/product?number=1340186>