

ROV hook – FRAM RSK

nøstet &

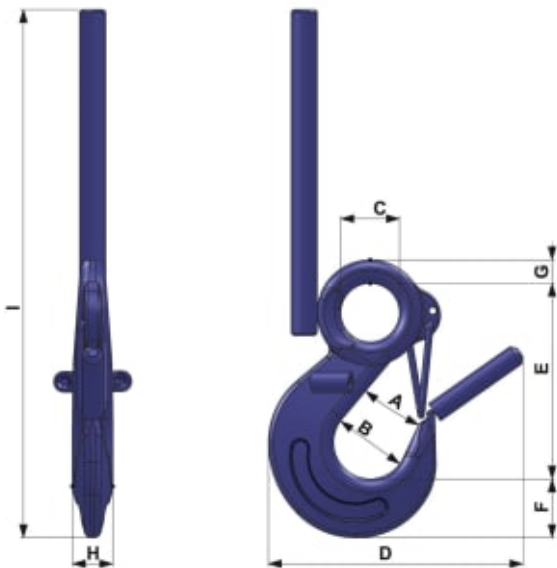
ROV hook made from bluepainted grade 8 material, equipped with guide pins at both the back and tip for precise ROV controlled handling.

The FRAM RSK ROV hook is purposebuilt for remotely operated subsea operations where precision, stability, and reliability are essential. Manufactured from strong, bluepainted grade 8 steel, the hook is fitted with guide pins on both the back and the tip, ensuring accurate positioning and smooth manipulation using ROV arms.

Designed for demanding offshore and subsea environments, this hook provides dependable performance and controlled handling during lifting and equipment operations. Its robust construction ensures long service life and consistent operational stability.



Color	Blue
Material	Grade 8
Model	RSK
Sales unit:	PCS



Read more about the product here:

<https://john-dahle.no/product?number=VM-0212141>