

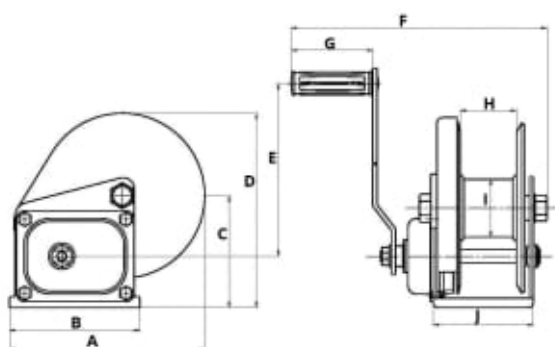
Spurgear winch – Tiger BHW–OCP, corrosion protected



Corrosion protected spurgear winch. In compliance with the NS-EN 13157



Sales unit: PCS



Read more about the product here:

<https://john-dahle.no/product?number=VM-0148430>