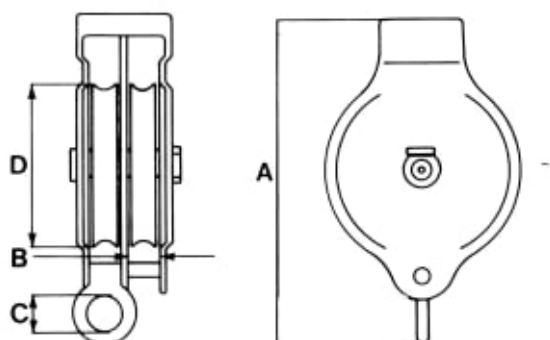


BMM-blokk, double-sheaved with becket, stainless steel

Stainless steel blocks (AISI 304) with swivel and ball bearings in the sheaves. The blocks can be supplied with a becket upon request.



Read more about the product here:

<https://john-dahle.no/product?number=BMM-DBL-AISI304>